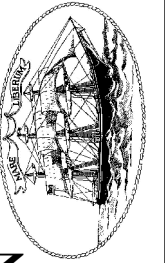
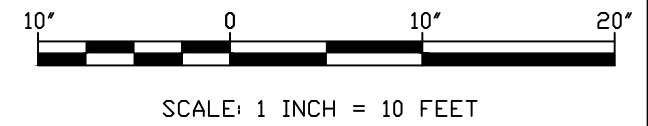


NOTES:

1. INSTALL # 4 RE-BAR IN CENTER OF THE CONCRETE. CREATE A 1' x 1' MESH AND TIE RE-BAR TOGETHER WITH WIRE TO THE WALL, WING ENDS AND TO ITS FOUNDATION.
2. PROVIDE INTERNAL VIBRATION TO THE CONCRETE WALL PLAYING AREA TO ENSURE A SMOOTH FINISH FREE OF VOIDS.
3. CONCRETE SHALL BE CLASS C (3,000 PSI).



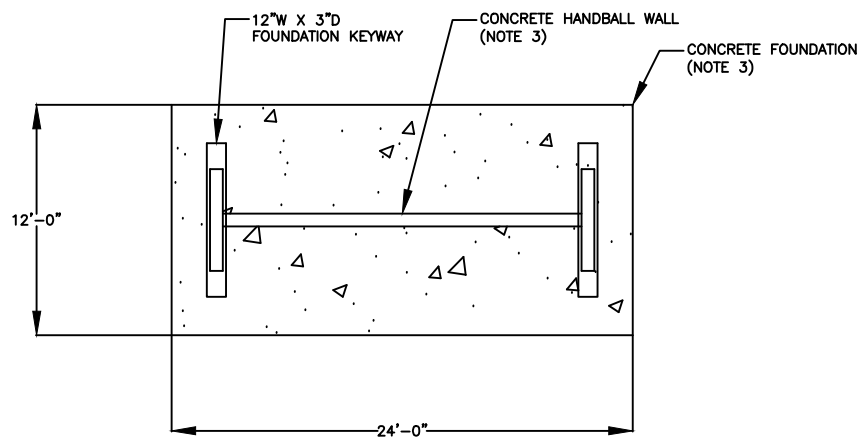
CITY OF NEW LONDON
PUBLIC WORKS DEPARTMENT
ENGINEERING
111 UNION ST.
NEW LONDON, CT 06320
Ph: 860-447-5250 FAX: 860-447-5255

HANDBALL COURT
AT TOBY MAY PARK
PLAN AND ELEVATION

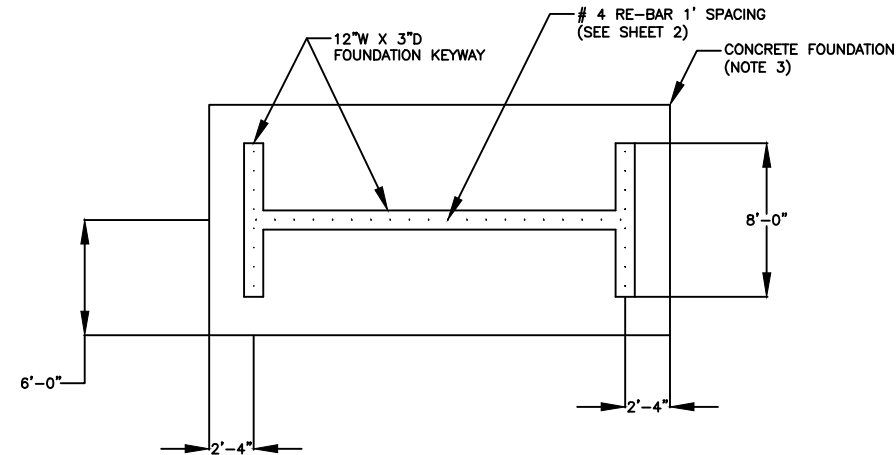
NO.	BY	DATE	DESCRIPTION

REVISIONS

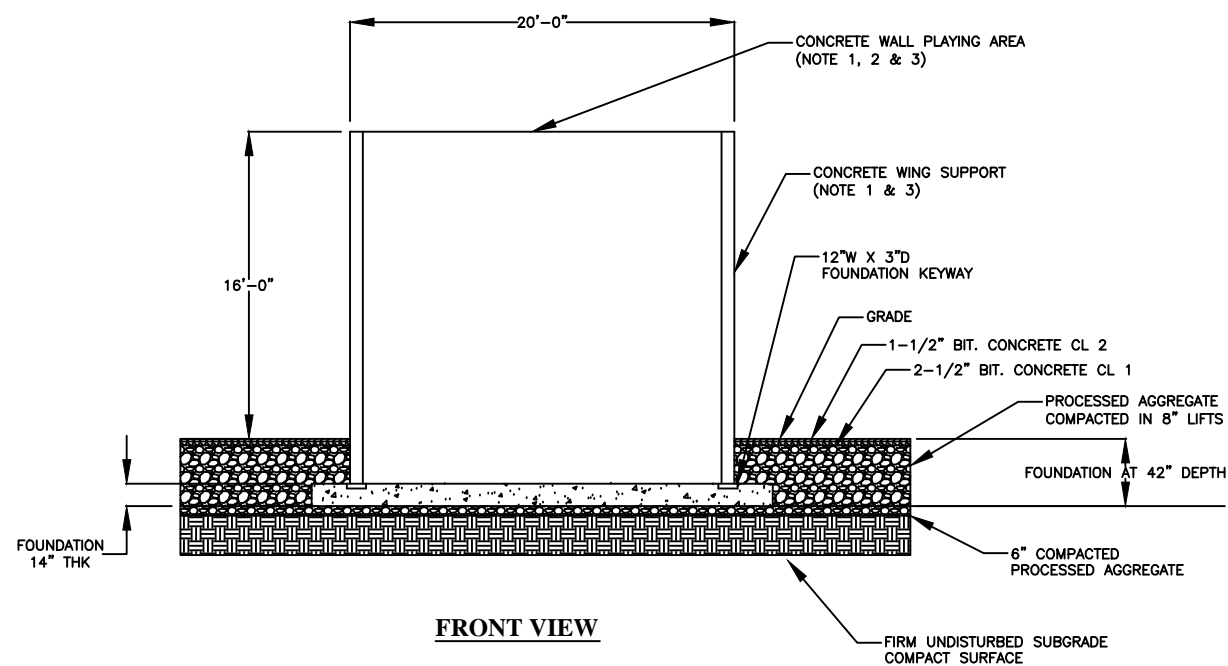
DRAWN BY: TJQ APPROVED BY: DATE: 03.07.2017



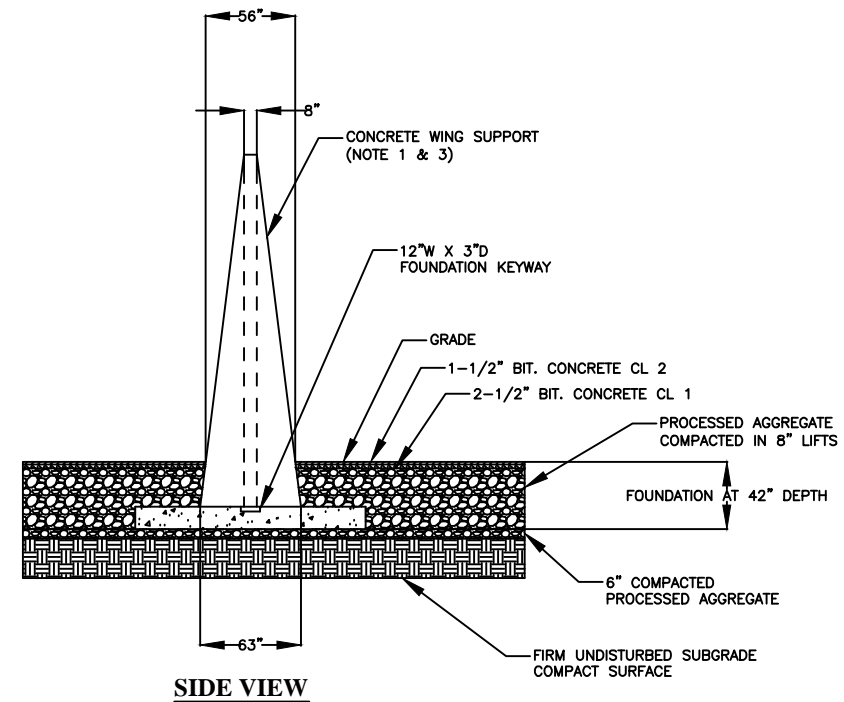
TOP VIEW



FOUNDATION KEYWAY LOCATION



FRONT VIEW



SIDE VIEW

PROPOSED HANDBALL COURT
AT TOBY MAY PARK

DRAFT 3/7/17

NOT ISSUED FOR CONSTRUCTION